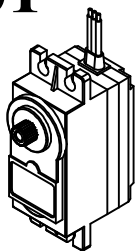
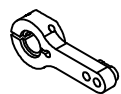


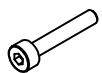
01



Servo 4409: 01



Servo arm 25T: 01



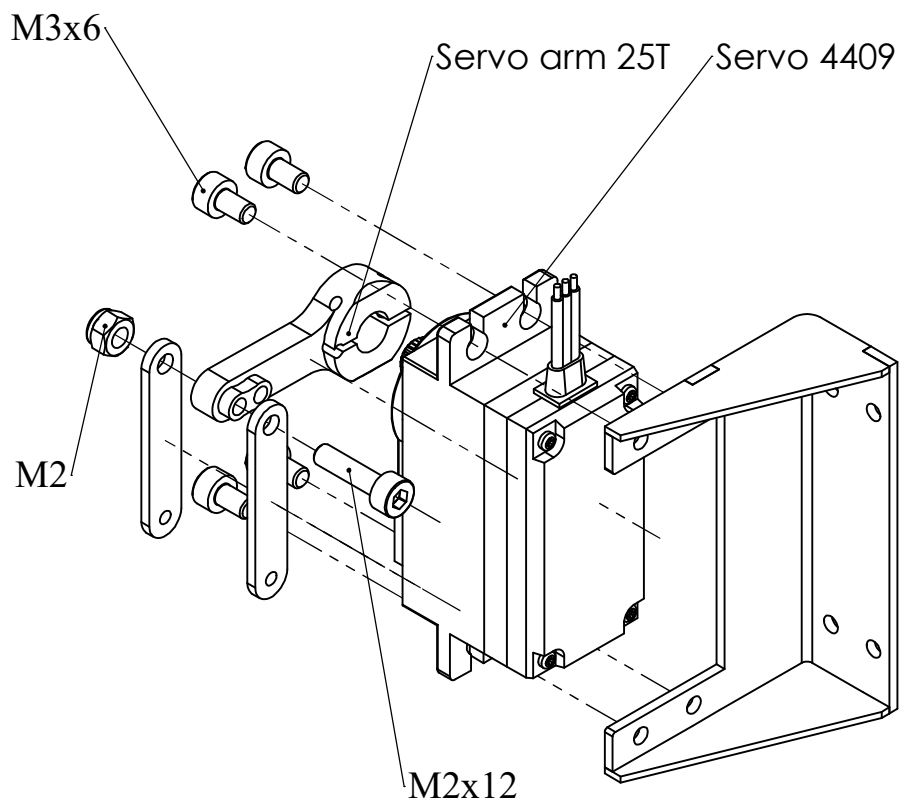
M2x12: 01



M3x6: 04

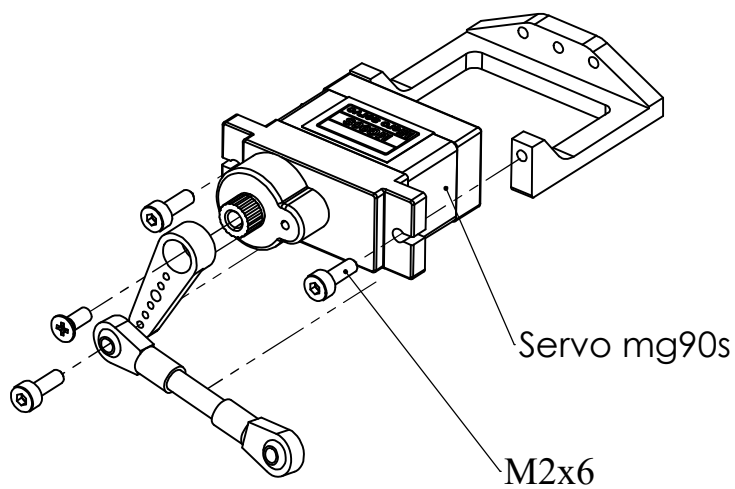
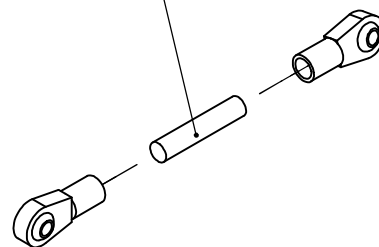


Tay nối chốt servo: 02

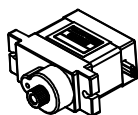


02

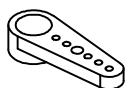
M2,5x10



03



Servo mg90s: 01



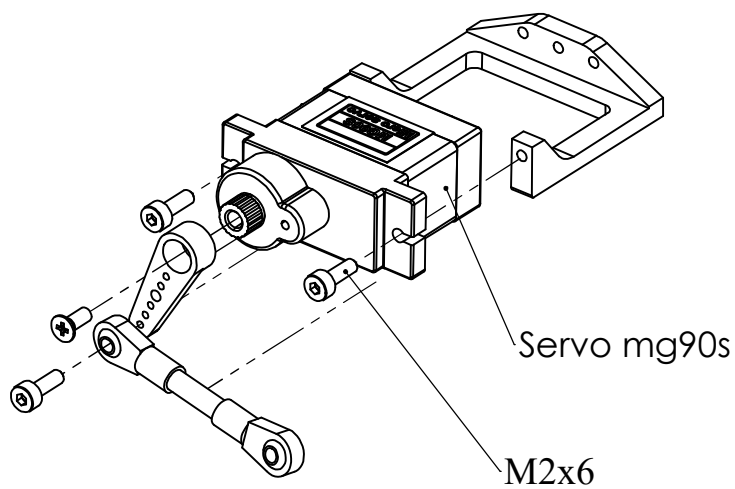
Servo arm: 01



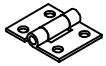
M2x6: 03



M2x6: 01



04



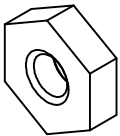
Hinge: 02



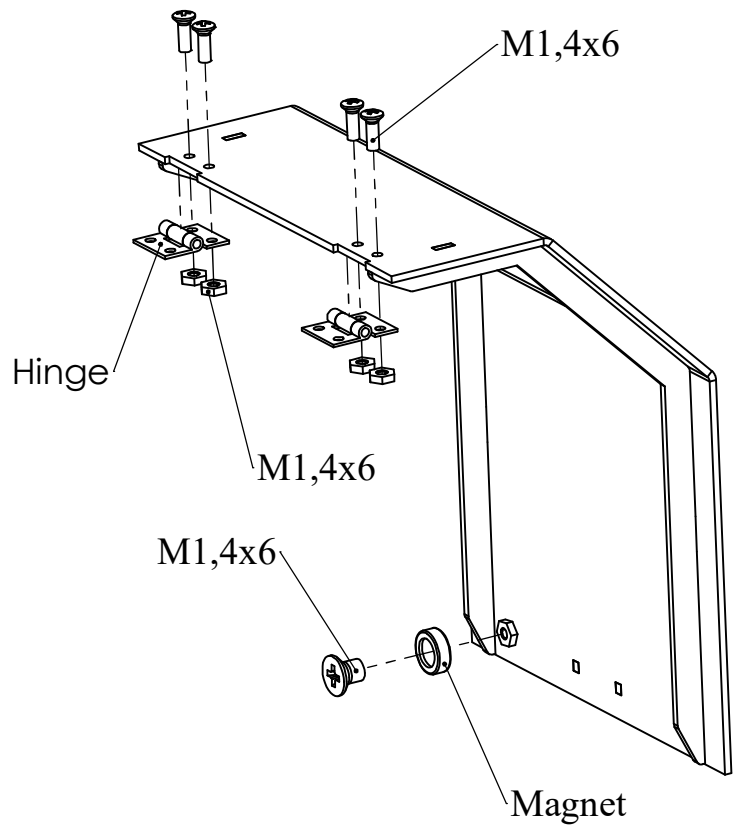
Magnet: 01



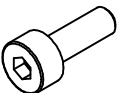
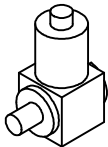
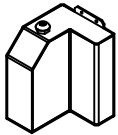
M1,4x6: 05



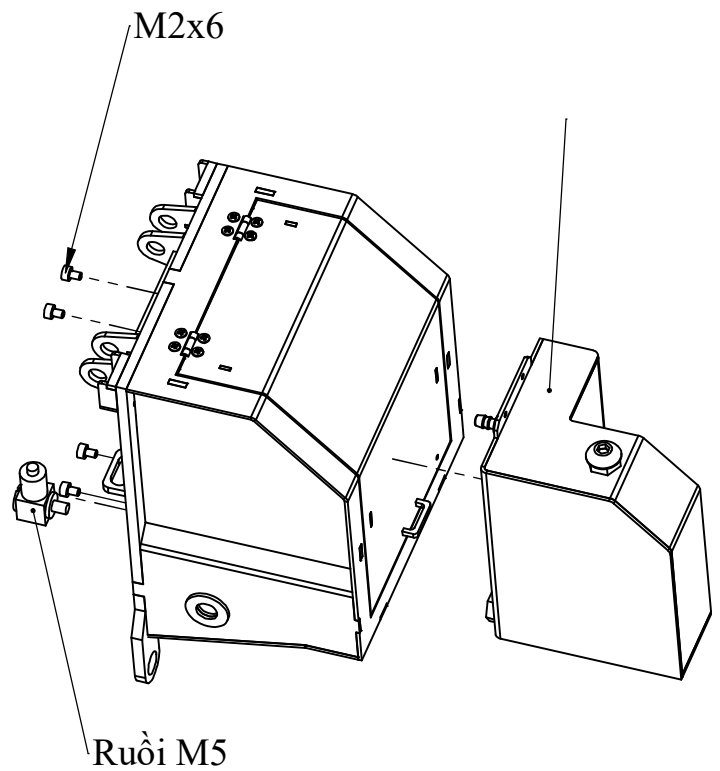
M1,4x6: 04



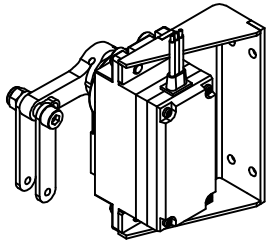
05



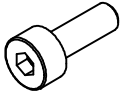
M2x6: 04



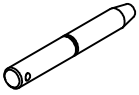
06



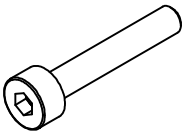
: 01



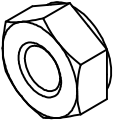
M3x6: 04



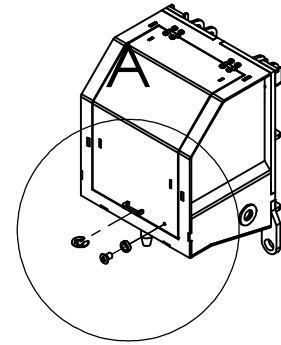
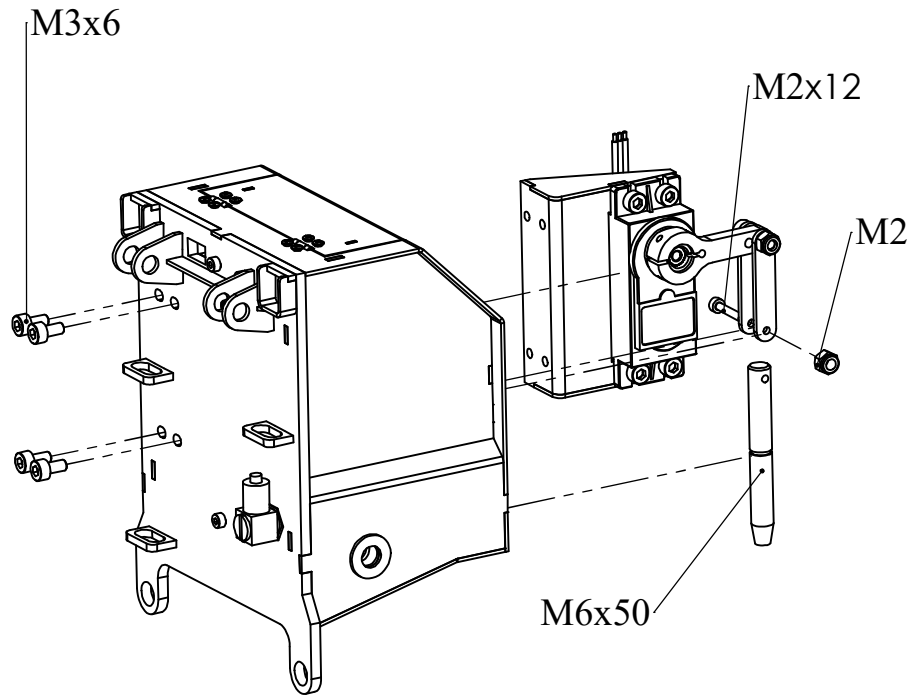
M6x50: 01



M2x12: 01



M2: 01



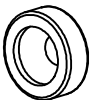
07



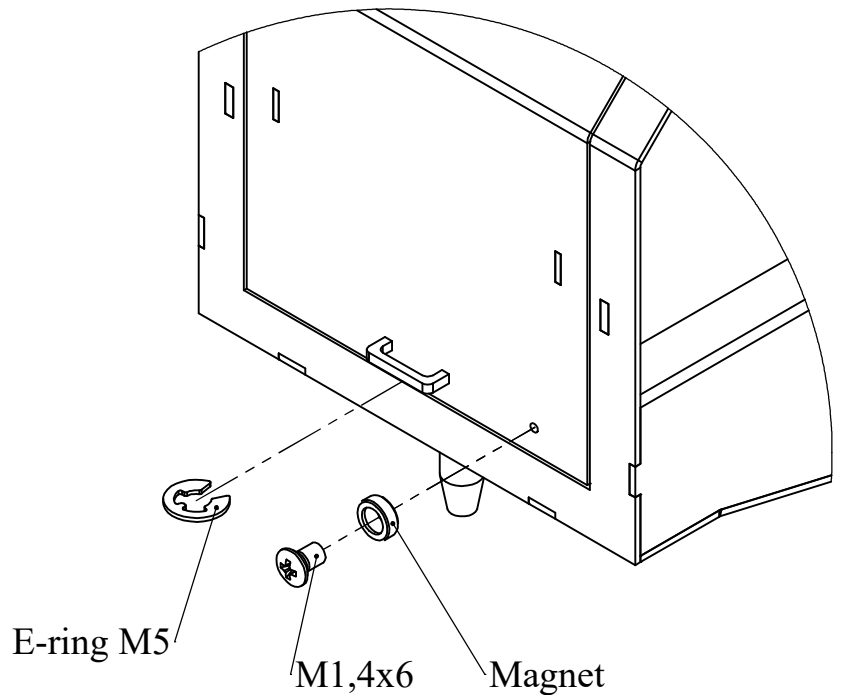
E-ring M5; 01



M1,4x6: 01



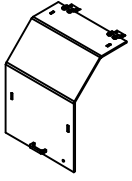
Magnet: 01



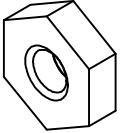
DETAIL A

SCALE 1 : 1

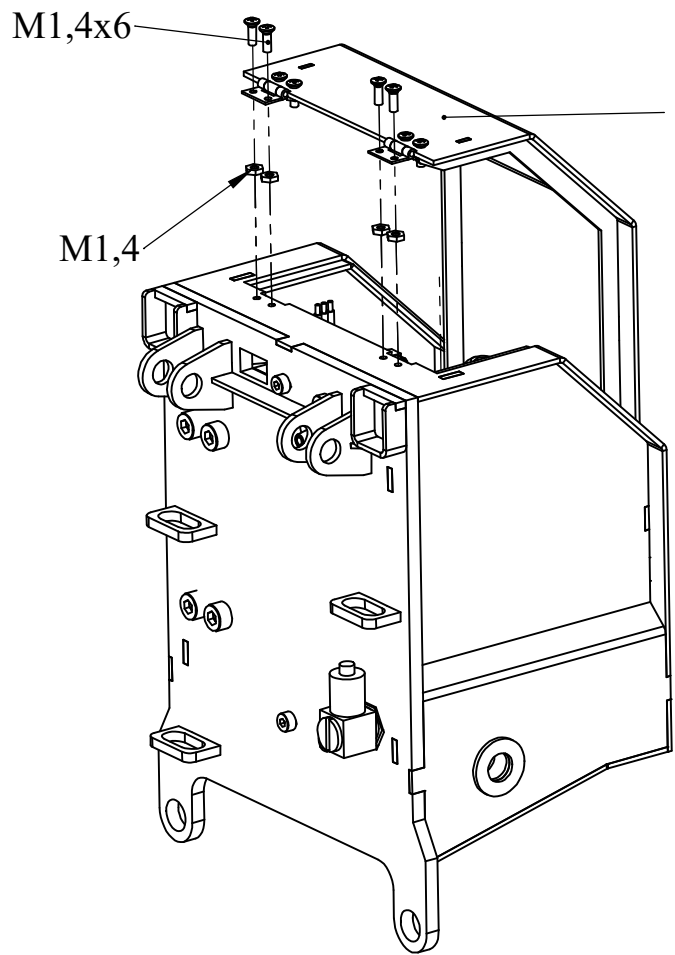
08



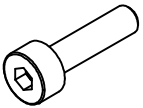
M1,4x6: 04



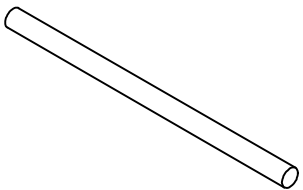
M1,4



09



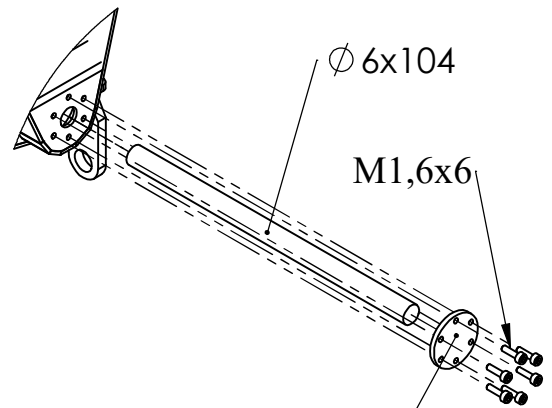
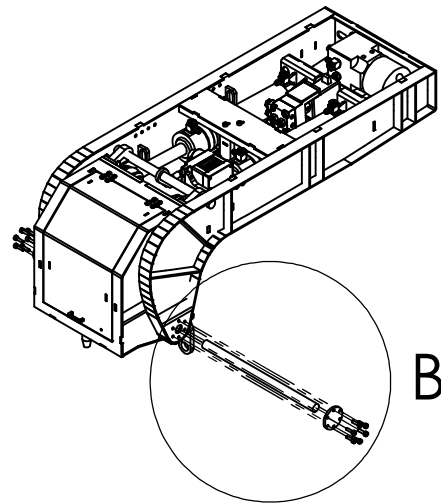
M1,6x6: 12



$\varnothing 6 \times 104$: 01



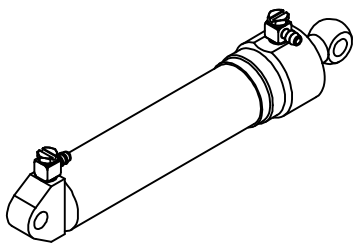
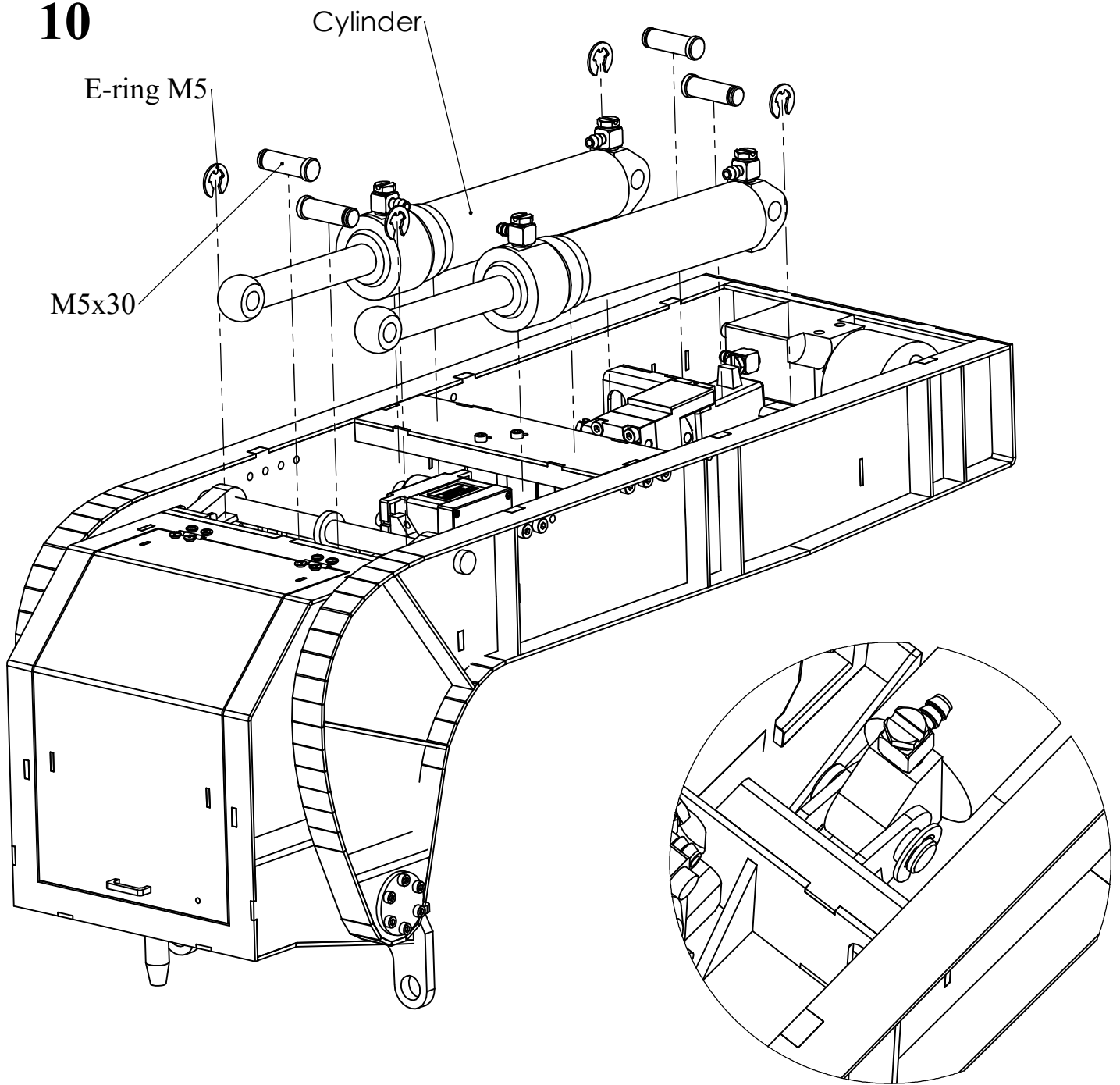
D16,6: 02



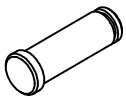
DETAIL B

SCALE 1 : 2

10



Cylinder: 02

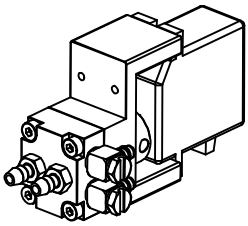
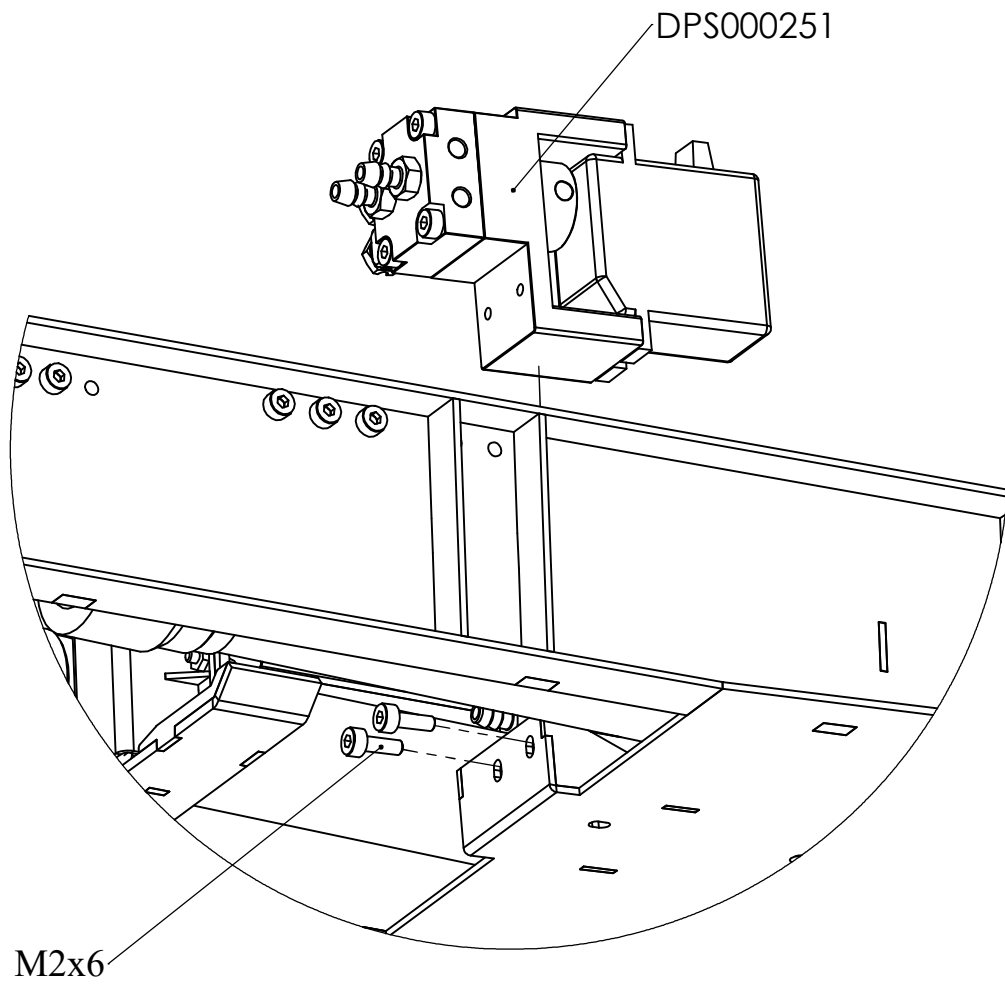


M5x20: 04

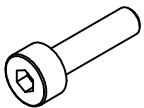


E-ring M5: 04

11



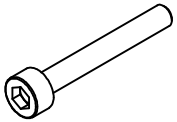
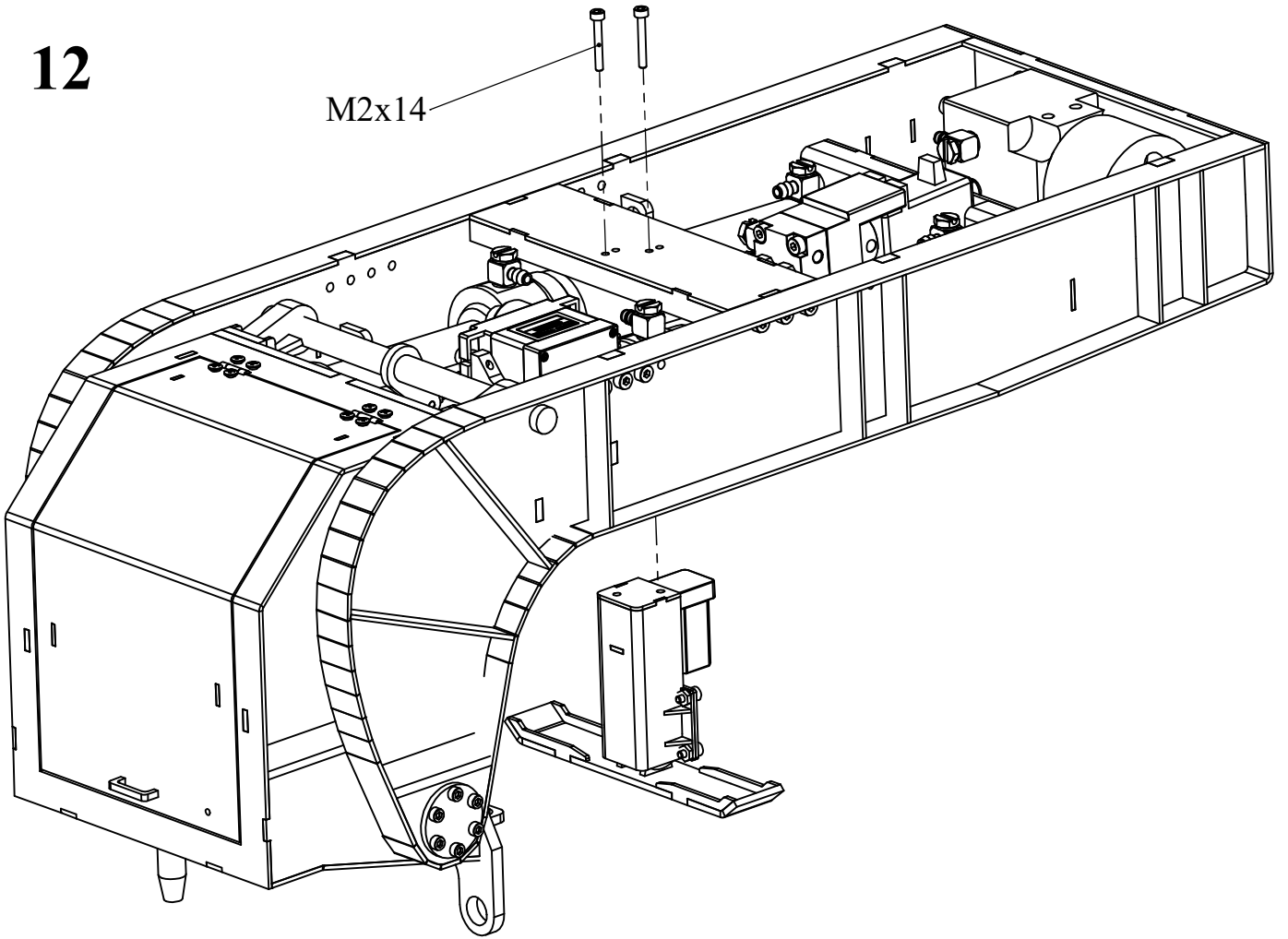
DPS000251: 01



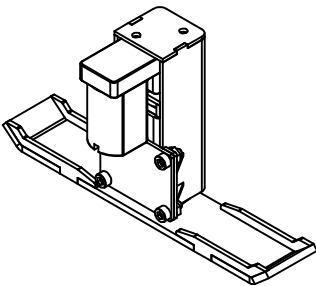
M2x6: 02

12

M2x14

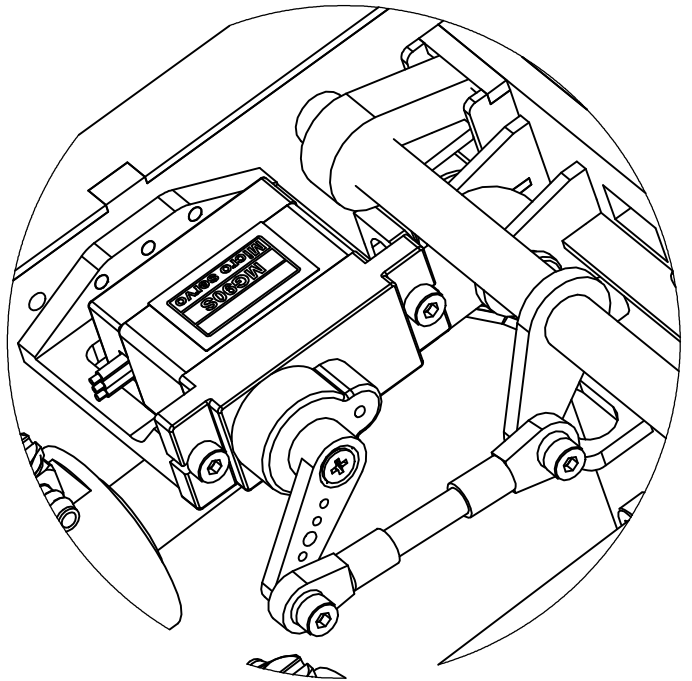
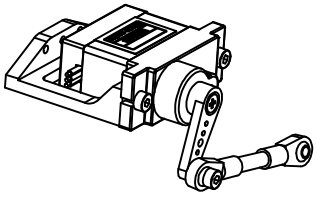
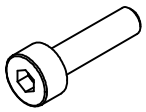
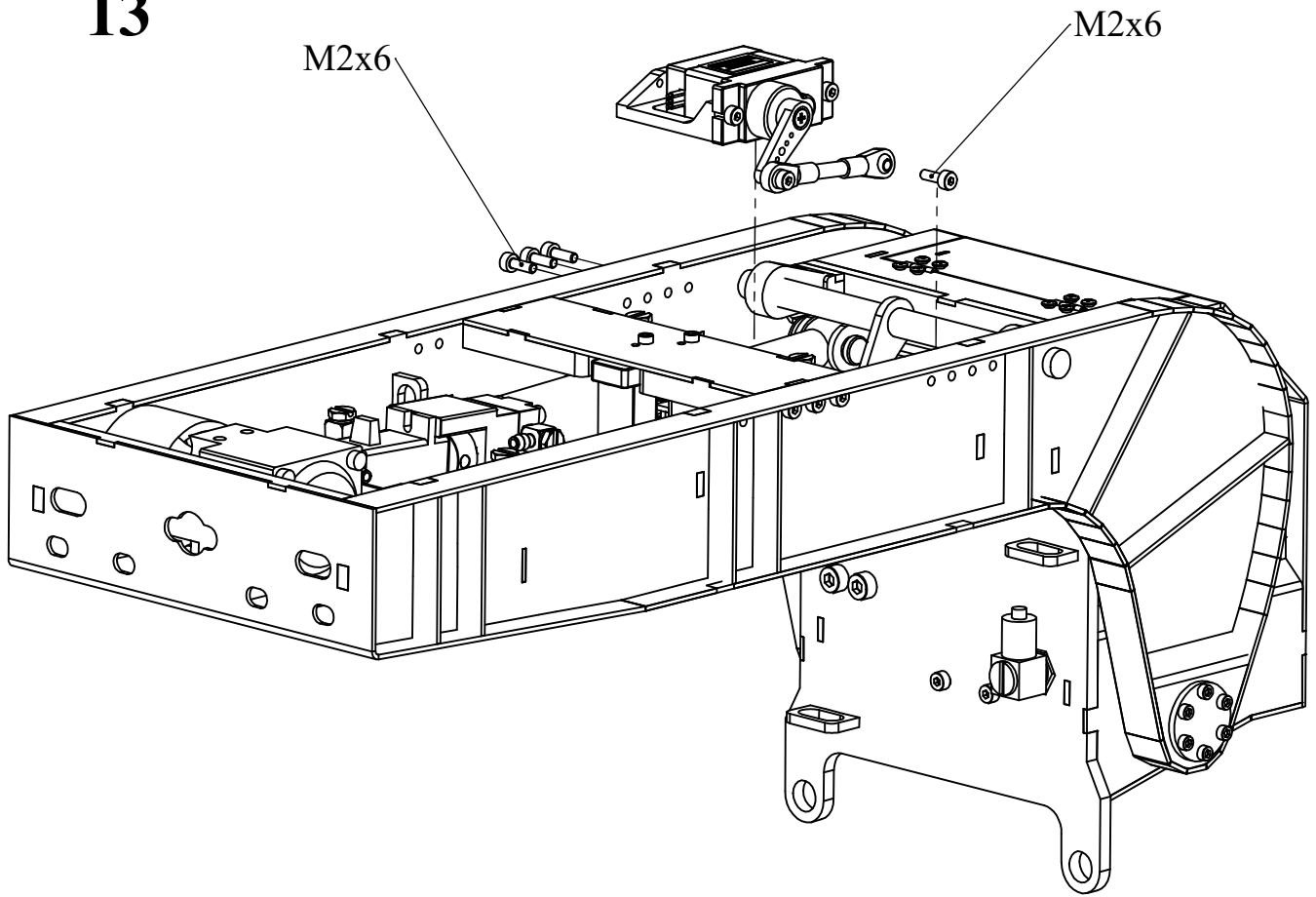


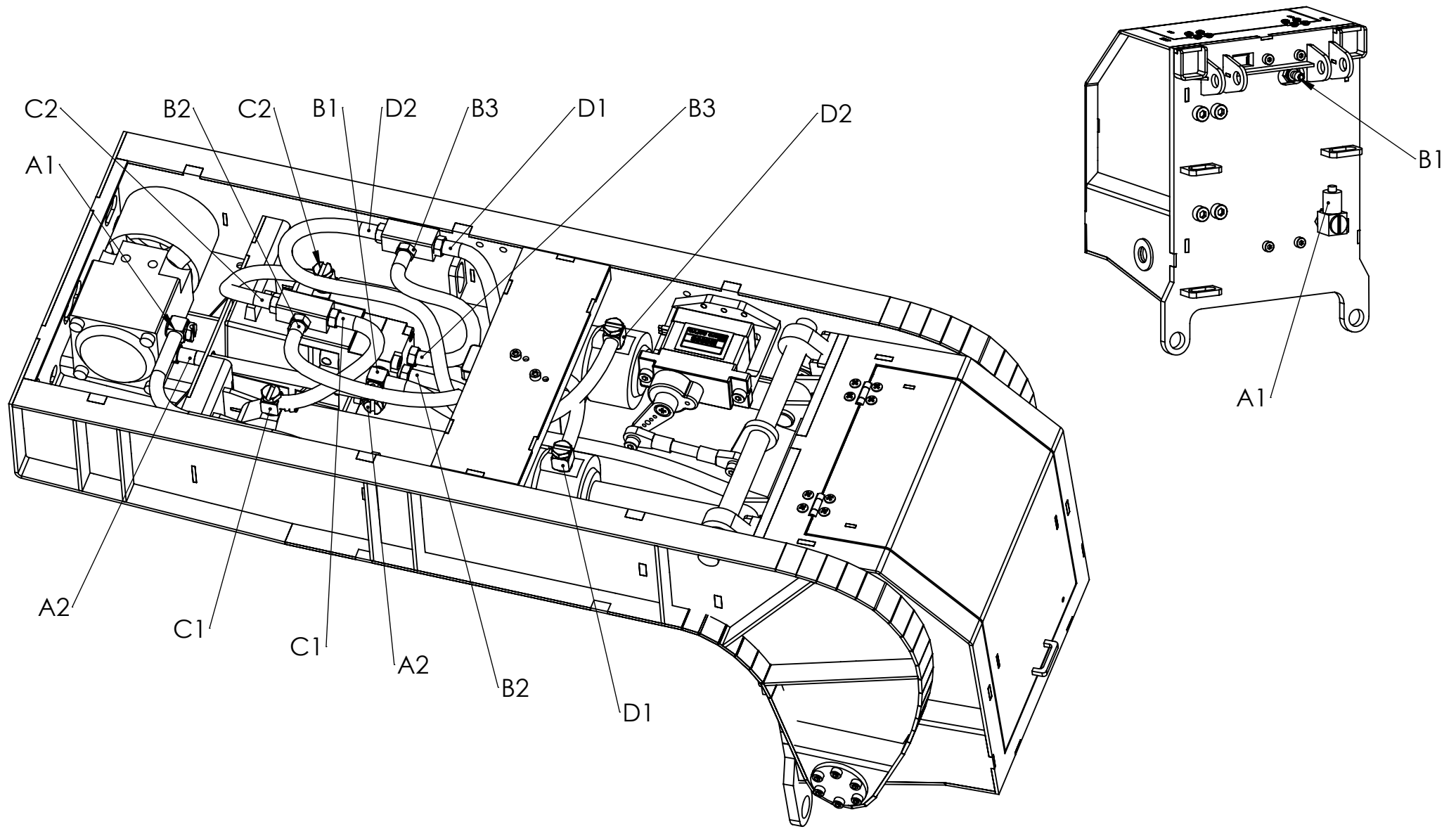
M2x14: 02



: 01

13





DPS
RE MODEL

STT	PART NUMBER	DESCRIPTION	WEIGHT	MATERIAL	THICKNESS	QTY
1	DPS-032-OB.15					